



SPECIFICATIONS

FE8-150 TF AMT DC

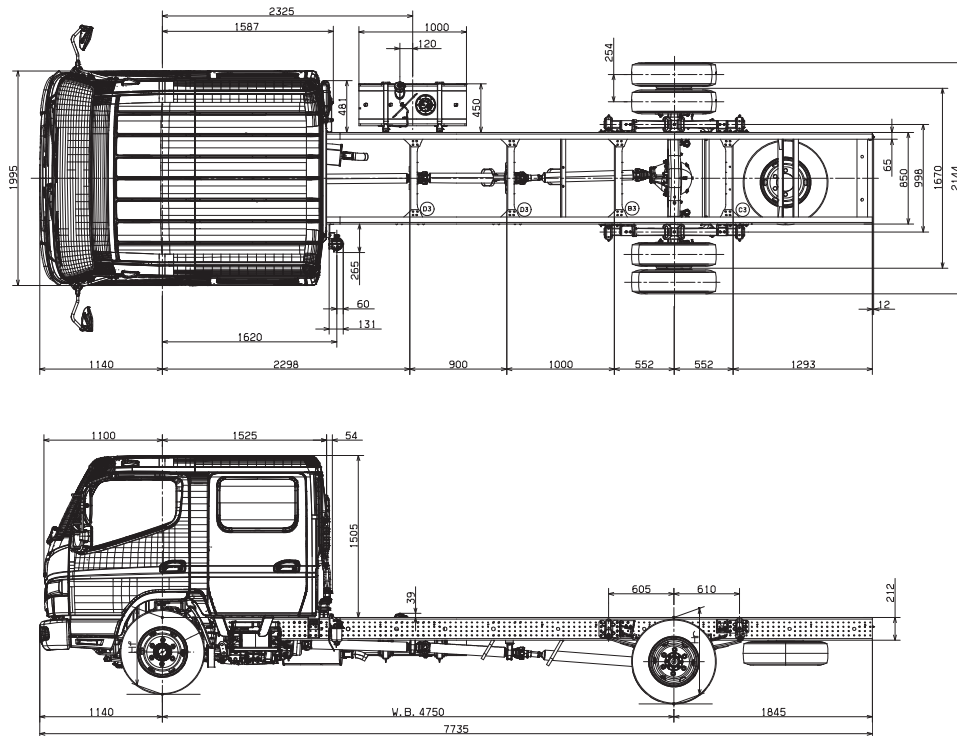
Make		FUSO
Range		CANTER
Model		FE8-150 TF AMT DC
Model Code		FECK1KR3WBJ3
Axle Layout		4x2
Cab		Forward Control
Crew		3 seating
Vehicle type		
GVM	Manufacturer's gross vehicle mass	8550
GCM	Manufacturer's gross combination mass	8550
D/T	Permissible max towing drawing vehicle mass	8550
GA-Front	Manufacturer's front axle mass	3100
GA-Rear	Manufacturer's rear axle mass	6000
V	Permissible maximum vehicle mass	8550
AF	Permissible maximum front axle mass	3100
AR	Permissible maximum rear axle mass	6000
UF	Unladen front axle mass	1845
UR	Unladen rear axle mass	845
UT (Tare)	Total unladen mass	2690
Permissible Body + Payload		5860
Fuel Tank (Litres)	Capacity	100
Dimensions (mm)		
OL	Overall length	7735
OW	Overall width	2145
CA	Cab to Axle	5070
OH	Overall height	2230
FOH	Front overhang	1140
ROH	Rear overhang	1845
WB	Wheelbase	4750
Performance		
Gradeability at Permissible Maximum Weight (M) (tan 8)		29%
Maximum Speed (SA Legislation)		100 km/h
Minimum turning radius		8,25 m
Standard Equipment/features		
Eco Mode (fuel saver) Air Conditioner Radio (AM/FM/CD) (2 speakers. Ø 10 cm) Power Windows (with auto function) Central Locking (all doors) Electronic Brake force Distribution (EBD) Antilock Braking System (ABS) Exhaust Brake System Telescopic and tilt steering column with Steering lock On-board Diagnostic Supplemental Restraint System (SRS) Driver Air bag Lockable fuel tank Sun Visor Fog lamps Standard tool set		
Standard Services		
4 years / 240 000km warranty		
20 000 km standard service intervals		
25 000 km service intervals on maintenance contract		

Engine	
Make	FUSO
Model	4P10-4AT4
Configuration	Diesel inline 4
Capacity (cm3)	2998
Type	Four stroke water cooled direct injection diesel engine
Power at RPM	110 kW @ 3500 rpm
Torque at RPM	370 Nm @ 1320 rpm
Emission standards	Euro III
Generator	12 Volt, 110 Amp
Air Cleaner	Dry paper element type
Suction	Snorkel and rain cap
Governor	Electrical control type
Transmission	
Make	FUSO
Model	M038S5
Type	Synchromesh gears
Shift	DUONIC AMT
No. of gears forward	6
Low gear ratio	0.701
High gear ratio	5.397
Clutch	
Make	FUSO
Model	-
Type	Wet-type dual clutch
Diameter (mm)	-
Drive Axle	
Make	FUSO
Model	D035H
Reduction type	Single reduction, Hypoid gear
Final Ratio	6,166
Suspension	
Front	Laminated leaf springs with shock absorbers
Rear	Laminated leaf springs with shock absorbers and stabilizer
Steering	
	Telescopic and tilt steering column with steering lock
Brakes	
System type	*Hydraulic with vacuum servo assistance, dual circuit with ABS+EBD*
Front	Disc
Rear	Disc
ABS + EBD	Yes
Park/Emergency System	Internal Expanding type on propeller shaft
Auxiliary Brakes	Exhaust brake
Tyres and Rims	
Tyre Sizes	215/75R17.5
Wheel type	Disc type
Electrical	
System	12V

Simply Better Trucks

DIMENSIONS

www.fuso.co.za



FUSO